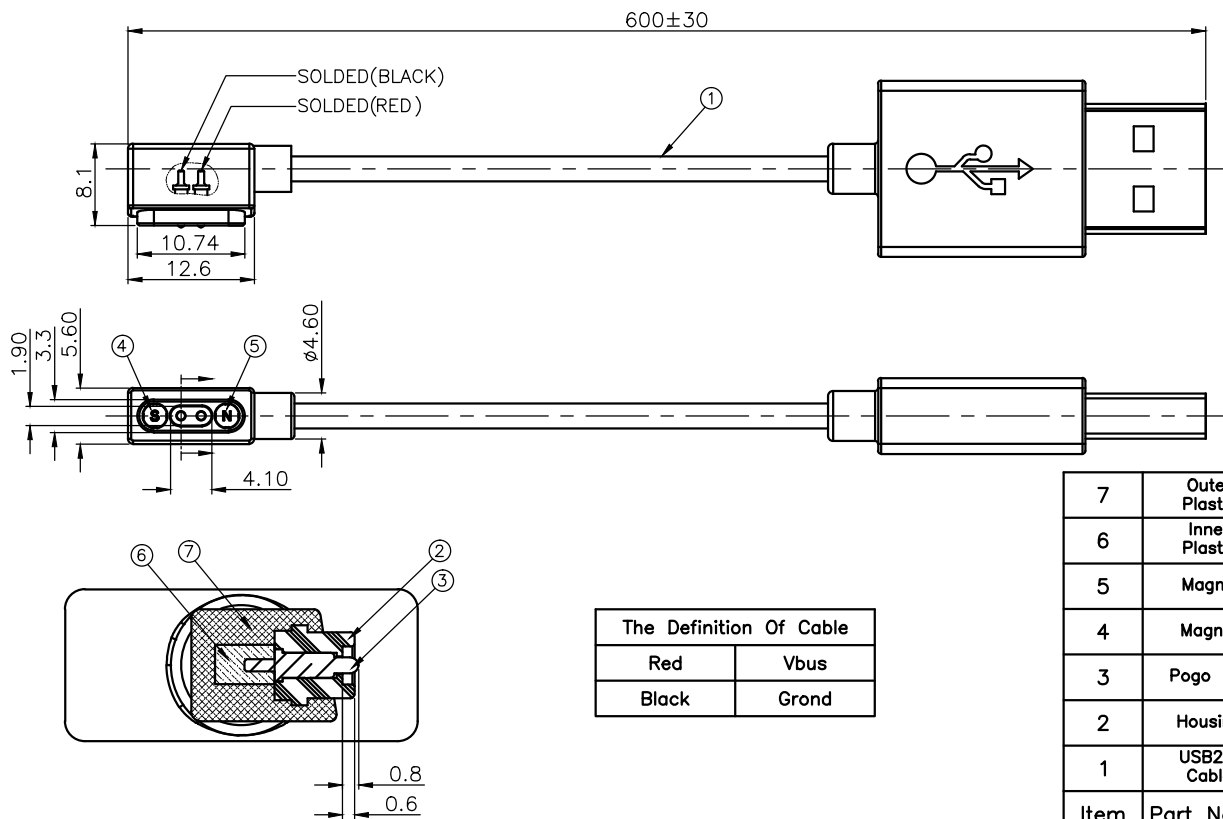
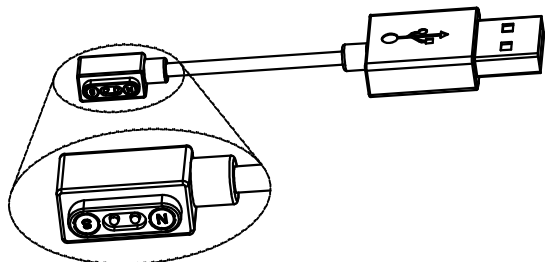


THIS INFORMATION IS CONFIDENTIAL AND IS DISCLOSED TO YOU ON CONDITION THAT NO FURTHER DISCLOSURE IS MADE BY YOU TO OTHER THAN TOP-LINK PERSONNEL WITHOUT WRITTEN AUTHORIZATION FROM TOP-LINK LTD.



The Definition Of Cable	
Red	Vbus
Black	Grond

**Notes:**

- 1 Dimensions shall be interpreted per ASME Y14.5M
- 2 Mechanical performance(See the table 1)
  - <2.1>The force is the average of forces obtained when plunger goes downwards and upwards
  - <2.2>Warning:Working height are not permitted to be less than Min working height
- 3 Electrical performance
  - <3.1>Current rating: 0.5A
  - <3.2>Voltage rating: 36VAC/DC
  - <3.3>Dynamic Resistance:30mOhm Max (between max and min working height)
  - <3.4>Insulation Resistance:10MOhm minimum
- 4 Environmental performance
  - <4.2>Operating Temperature range:-40°C~+85°C
- 5 Environmental protection requirement
  - <5.1>RoHS compliant
- 6 Packaging:Bag

7	Outer Plastic	1pcs	PVC 45P,Black	-----
6	Inner Plastic	1pcs	PP,Transparent	-----
5	Magnet	1pcs	N52,head face was N-pole	Plated Ni then 0.05um min Au
4	Magnet	1pcs	N52,head face was S-pole	Plated Ni then 0.05um min Au
3	Pogo pin	2pcs	The stroke was 0.7mm	Au plated over Ni
2	Housing	1pcs	High temperature resistance ,Black	-----
1	USB2.0 Cable	1pcs	2 Pole and the wire diameter was 2.5mm,Black	-----
Item	Part Name	Q'TY	Material	Finish

Top-Link Electronics Ltd.  
 TOLERANCES UNLESS OTHER SPECIFIED  
 0. = ± -  
 0.0 = ± 0.15  
 0.00 = ± 0.10  
 0.000 = ± -  
 Angle: ±1'  
 SURF TEXTURE:  
 REMOVE BURRS.  
 BREAK SHARP EDGES  
 R0.05 MAX.DO NOT SCALE PRINT.

XA	New Release	2017.07.03
Item	Revision record	Date

Type	Customer drawing	Unit	mm		
DRW:	Neil	APRD:	Alex		
CHK:	Henry	REL:			
Name					
Pogo Pin Connector					
Scale	Size	Part NO.	Page	Rev:	
1:1	A4	10501020046	1/1	XA	

**top-link**