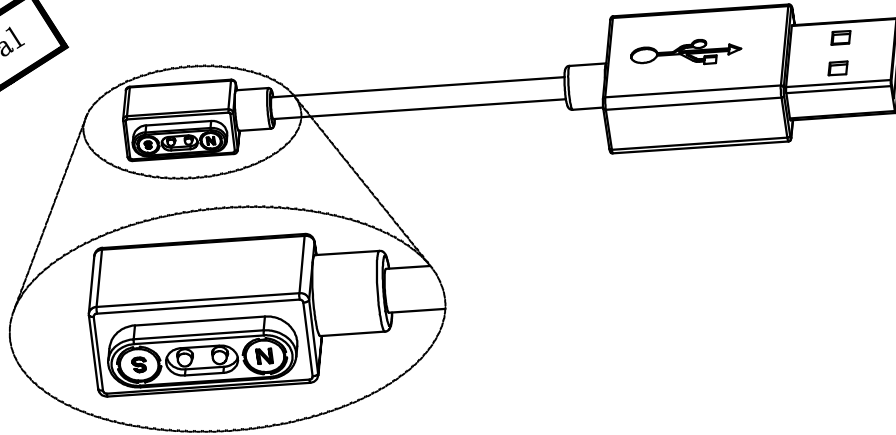


THIS INFORMATION IS CONFIDENTIAL AND IS DISCLOSED TO YOU ON CONDITION THAT NO FURTHER DISCLOSURE IS MADE BY YOU TO OTHER THAN TOP-LINK PERSONNEL WITHOUT WRITTEN AUTHORIZATION FROM TOP-LINK LTD.

DWN NO.: C-10510020028

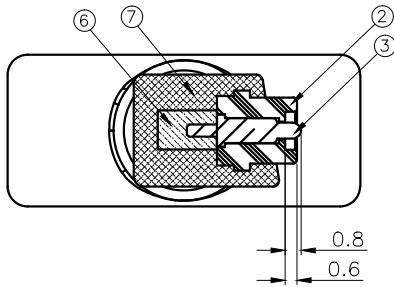
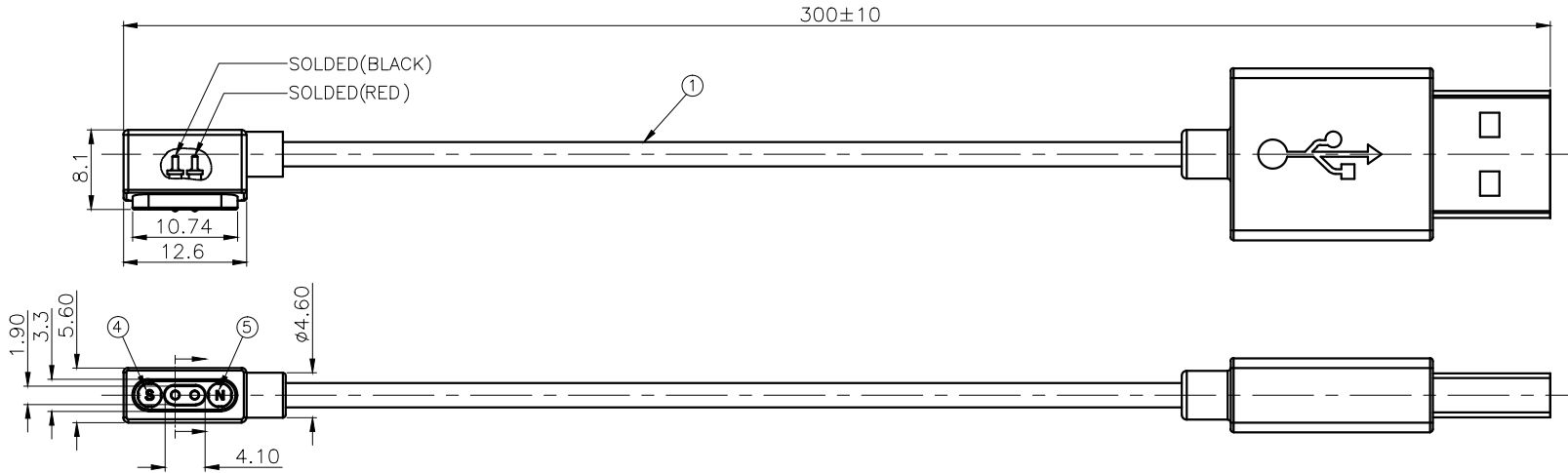


proposal



Item	Part Name	Q'TY	Description
1	USB2.0 Cable	1pcs	2 Pole and the wire diameter was 2.5mm,Black
2	Housing	1pcs	High temperature resistance ,Black
3	Pogo pin	2pcs	The stroke was 0.7mm,gold plated
4	Magnet	1pcs	N52,head face was S-pole, plated Ni then 0.05um min Au
5	Magnet	1pcs	N52,head face was N-pole, plated Ni then 0.05um min Au
6	Inner Plastic	1pcs	PP,Transparent
7	Outer Plastic	1pcs	PVC 45P,Black

NOTE:  
 1. The CABLE must be passed 100% conduction and short test.  
 2. Insulation resistance: 10Mohm Min.  
 Current rate: 500mA



The Definition Of Cable	
Red	Vbus
Black	Grond

DIST  
---  
DIST  
---

XA	New Release	2016.05.27
Item	Revision record.	Date

Top-Link Electronics Ltd.  
 TOLERANCES UNLESS OTHER SPECIFIED  
 0. = ± -  
 0.0 = ± 0.15  
 0.00 = ± 0.10  
 0.000 = ± -  
 Angle: ±1°  
 SURF TEXTURE: REMOVE BURRS.  
 BREAK SHARP EDGES  
 R0.05 MAX.DO NOT SCALE PRINT.

Type	Unit	Weight
Customer drawing	mm	
DWN: Henry	APVD:	
CHK:	REL:	
NAME: The Charging Cable of Band		
Scale: 1:1	Size: A4	DWN NO.: C-10510020028
Page: 1/1	Rev: XA	

10510020028  
 PART NUMBER

4

3

2

1