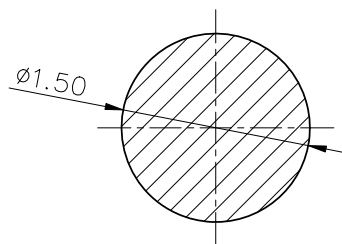
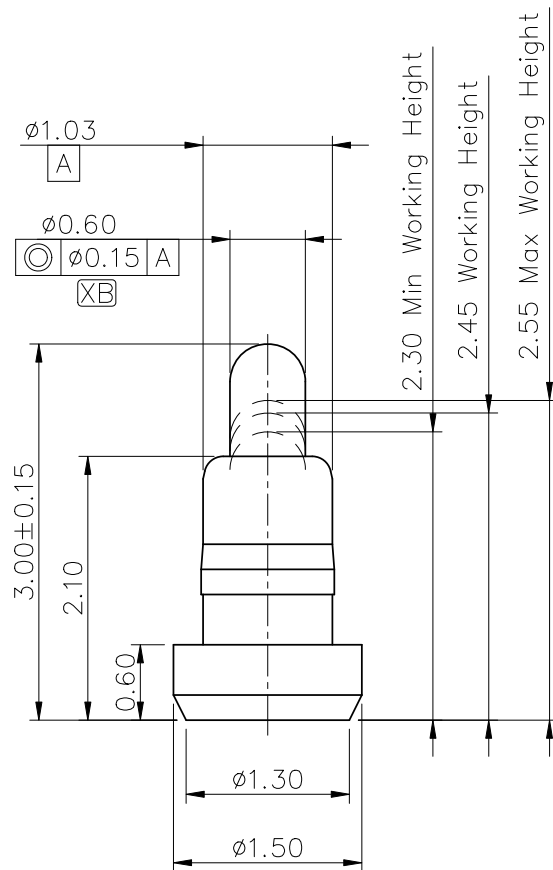


THIS INFORMATION IS CONFIDENTIAL AND IS DISCLOSED TO YOU ON CONDITION THAT NO FURTHER DISCLOSURE IS MADE BY YOU TO OTHER THAN TOP-LINK PERSONNEL WITHOUT WRITTEN AUTHORIZATION FROM TOP-LINK LTD.



Recommended PCB Layout

XB	Change Drawing	2017.02.27
XA	New Release	2017.02.24
Item	Revision record	Date

Top-Link
Electronics Ltd.
TOLERANCES UNLESS
OTHER SPECIFIED
0. = ± -
0.0 = ± 0.15
0.00 = ± 0.10
0.000 = ± -
Angle: ±1°
SURF TEXTURE:
REMOVE BURRS.
BREAK SHARP EDGES
R0.05 MAX.DO NOT
SCALE PRINT.

Notes:

- Dimensions shall be interpreted per ASME Y14.5M
- Mechanical performance(See the table 1)
 - <2.1>The force is the average of forces obtained when plunger goes downwards and upwards
 - <2.2>Warning: Working height are not permitted to be less than Min working height
- Electrical performance
 - <3.1>Current rating: 1.0A
 - <3.2>Voltage rating: 36VAC/DC
 - <3.3>Dynamic Resistance: 30mOhm Max (between max and min working height)
- Environmental performance
 - <4.1>RoHS compliant
 - <4.2>Salt Spray: 48h Min
 - <4.3>Operating Temperature range: -40°C~+85°C
 - <4.4>Withstanding Higt Temperature: 260°C/10Sec
- Packaging: Carrier tape

Working Height	2.45mm	70±20gf
Durability	10000 Cycles Min.	

4	CAP	1	High temp.Plastic; UL94 V-0 Color Black	-----
3	Body	1	Leaded Brass	Au plating 0.075um min Ni plating 1.4um min
2	Plunger	1	Leaded Brass	Au plating 0.075um min Ni plating 1.4um min
1	Spring	1	Stainless steel wire	-----

Item	Part Name	Q'TY	Material	Finish
Type		Customer drawing		Unit mm
DWN:		Willem		APVD: Alex
CHK:		Kent		REL:
NAME Pogo PIN Connector				
Scale 1:1	Size A4	Part NO. 10101011903		Page 1/1
				Rev: XB

top-link