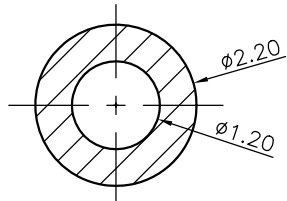
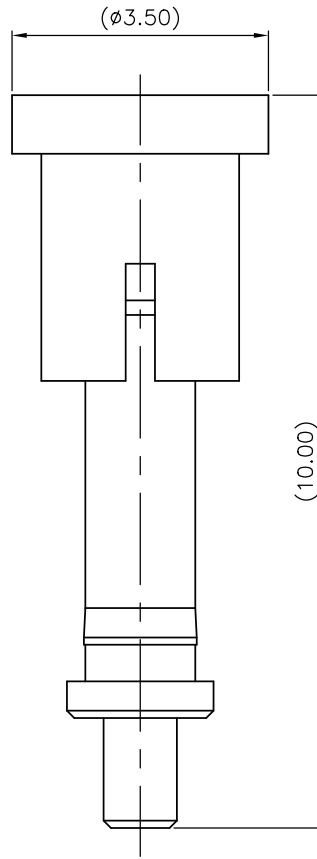
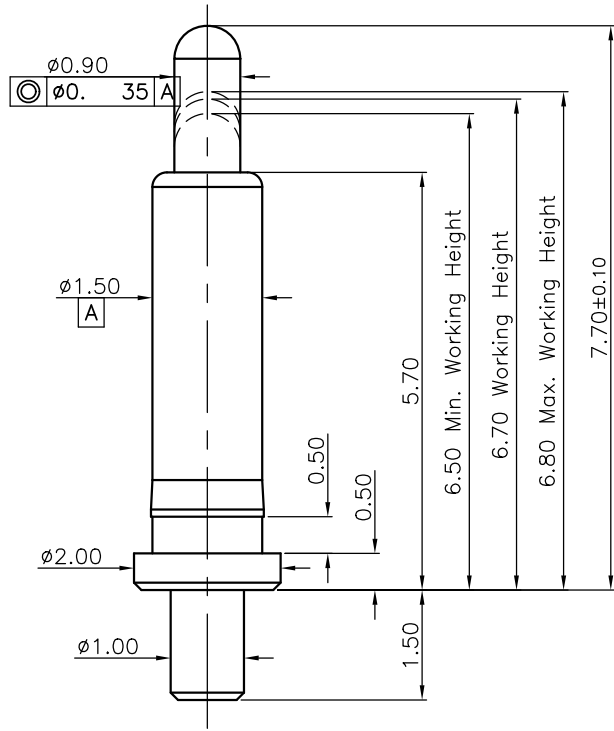


THIS INFORMATION IS CONFIDENTIAL AND IS DISCLOSED TO YOU ON CONDITION THAT NO FURTHER DISCLOSURE IS MADE BY YOU TO OTHER THAN TOP-LINK PERSONNEL WITHOUT WRITTEN AUTHORIZATION FROM TOP-LINK LTD.



RECOMMEND PCB LAYOUT(TOP VIEW)
Layout Tolerance: $\pm 0.05\text{mm}$

XB	Change the material	2017.10.25
XA	New Release	2017.07.11
Item	Revision record	Date

Top-Link
Electronics Ltd.
TOLERANCES UNLESS
OTHER SPECIFIED
0. = \pm -
0.0 = ± 0.15
0.00 = ± 0.10
0.000= \pm -
Angle: $\pm 11^{\circ}$
SURF TEXTURE:
REMOVE BURRS.
BREAK SHARP EDGES
R0.05 MAX.DO NOT
SCALE PRINT.

Notes:

- Dimensions shall be interpreted per ASME Y14.5M
- Mechanical performance(See the table 1)
 - <2.1>The force is the average of forces obtained when plunger goes downwards and upwards
 - <2.2>Warning:Working height are not permitted to be less than Min working height
- Electrical performance
 - <3.1>Current rating: 2.0A
 - <3.2>Voltage rating: 36VAC/DC
 - <3.3>Dynamic Resistance:30mOhm Max (between max and min working height)
 - <3.4>Insulation Resistance:100MOhm minimum
- Environmental performance
 - <4.1> RoHS compliant
 - <4.2>Salt Spray: 48h Min
 - <4.3>Operating Temperature range: $-40^{\circ}\text{C}\sim+85^{\circ}\text{C}$
 - <4.4>Withstanding High Temperature:260°C/10Sec
- Packaging:Carrier tape

Working Height	6.70mm	50±10gf
Durability	10000 Cycles Min.	

4	CAP	1pcs	High temp.Plastic; UL94 V-0 Color Black	-----
3	Body	1pcs	<input checked="" type="checkbox"/> Lead free Brass	Au 0.1um min plated over 1.4um min Ni
2	Plunger	1pcs	<input checked="" type="checkbox"/> Lead free Brass	Au 0.4um min plated over 1.4um min Ni
1	Spring	1pcs	Stainless steel wire	-----
Item	Part Name	Q'TY	Material	Finish

Type		Customer drawing		Unit		top-link
DRW:		Jackbin Zou		APRD: Henry		
CHK:		/		REL:		
Name						
Pogo Pin Connector						
Scale	Size	Part NO.		Page	Rev:	
1:1	A4	10101012059		1/1	XB	