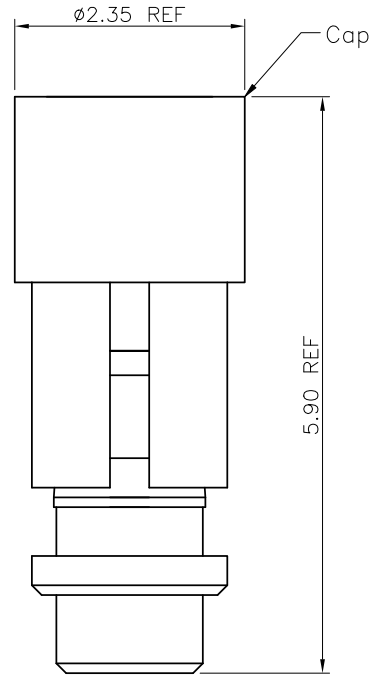
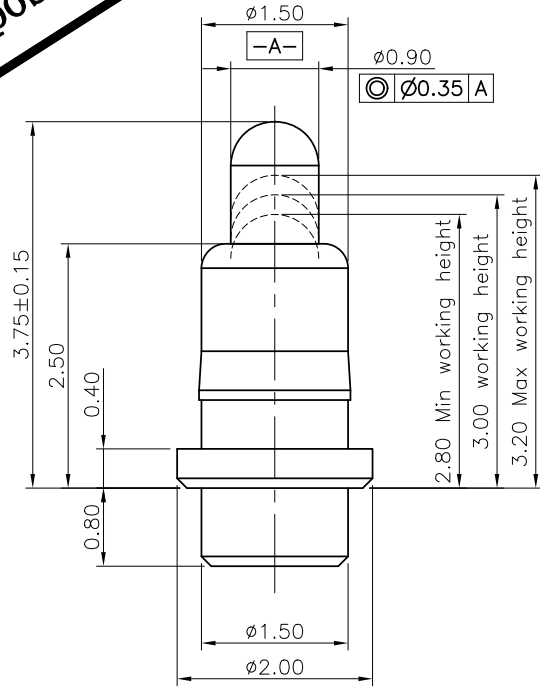


THIS INFORMATION IS CONFIDENTIAL AND IS DISCLOSED TO YOU ON CONDITION THAT NO FURTHER DISCLOSURE IS MADE BY YOU TO OTHER THAN TOP-LINK PERSONNEL WITHOUT WRITTEN AUTHORIZATION FROM TOP-LINK LTD.

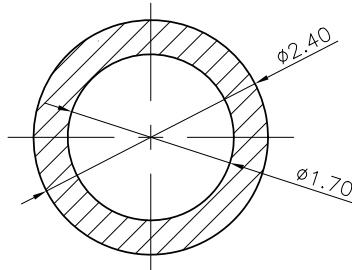
**proposal**



**Notes:**

- 1 Dimensions shall be interpreted per ASME Y14.5M
- 2 Mechanical performance(See the table 1)
  - <2.1>The force is the average of forces obtained when plunger goes downwards and upwards
  - <2.2>Warning:Working height are not permitted to be less than Min working height
- 3 Electrical performance
  - <3.1>Current rating: 1.0A
  - <3.2>Voltage rating: 36VAC/DC
  - <3.3>Contact Resistance:50mOhm Max
- 4 Environmental performance
  - <4.1>RoHS compliant
  - <4.2>Operating Temperature range:-40°C~+85°C
  - <4.3>Withstanding Higt Temperature:260°C/10Sec
- 5 Packaging:Carrier tape

Working Height	3.00mm	60±20gf
Durability	10000 Cycles Min.	



RECOMMEND PCB LAYOUT(TOP VIEW)  
Layout Tolerance: ± 0.05mm

XC	EC DIM	2018.04.27
XB	EC DIM	2018.04.18
XA	New Release	2018.04.12
Item	Revision record	Date

Top-Link Electronics Ltd.  
TOLERANCES UNLESS OTHER SPECIFIED  
0. = ± -  
0.0 = ± 0.15  
0.00 = ± 0.10  
0.000 = ± -  
Angle: ±1°  
SURF TEXTURE:  
REMOVE BURRS.  
BREAK SHARP EDGES  
R0.05 MAX.DO NOT SCALE PRINT.

4	Cap	1	High temp.Plastic; UL94 V-0 Color Black	-----
3	Body	1	Lead free Brass	Pd plating 0.25um min; Au plating 0.05um min; Ni plating 1.4um min
2	Plunger	1	Lead free Brass	Pd plating 0.25um min Ni plating 1.4um min
1	Spring	1	Stainless steel wire	-----
Item	Part Name	Q'TY	Material	Finish

Type	Customer drawing	Unit	mm	<b>top-Link</b>	
DWN:	Alan	APVD:			
CHK:		REL:			
NAME Pogo PIN Connector					
Scale	Size		Part NO.	Page	Rev:
1:1	A4		10101012358	1/1	XC