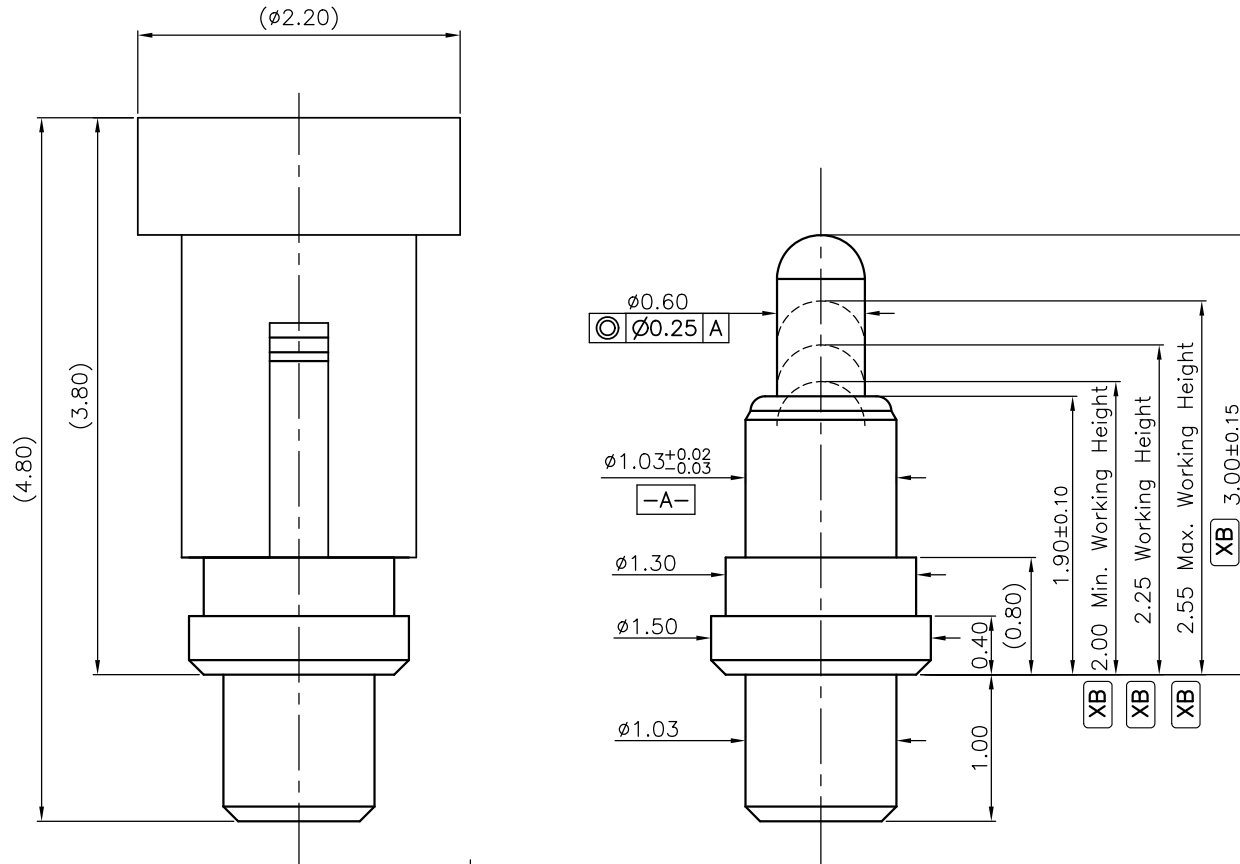


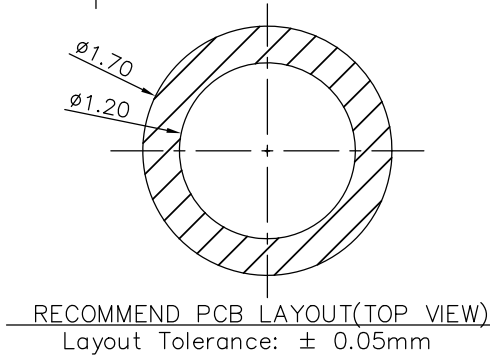
THIS INFORMATION IS CONFIDENTIAL AND IS DISCLOSED TO YOU ON CONDITION THAT NO FURTHER DISCLOSURE IS MADE BY YOU TO OTHER THAN TOP-LINK PERSONNEL WITHOUT WRITTEN AUTHORIZATION FROM TOP-LINK LTD.



Notes:

- 1 Dimensions shall be interpreted per ASME Y14.5M
- 2 Mechanical performance(See the table 1)
 - <2.1>The force is the average of forces obtained when plunger goes downwards and upwards
 - <2.2>Warning:Working height are not permitted to be less than Min working height
- 3 Electrical performance
 - <3.1>Current rating: 1.0A
 - <3.2>Voltage rating: 36VAC/DC
 - <3.3>Contact Resistance:50mOhm Max (At working height for 2.25mm)
 - <3.4>Insulation Resistance:100MOhm minimum
- 4 Environmental performance
 - <4.1> RoHS compliant
 - <4.2>Operating Temperature range:-40°C~+85°C
 - <4.3>Withstanding High Temperature:260°C/10Sec
 - <4.4> Salt spary test: 96H
- 5 Packaging:Carrier tape

XB	Working Height	2.25mm	40±12gf
	Durability	10000 Cycles Min.	



XB	Update Working Height	2020.06.19
XA	New Release	2020.05.26
Item	Revision record	Date

Top-Link Electronics Ltd.
TOLERANCES UNLESS OTHER SPECIFIED
0. = ± -
0.0 = ± 0.15
0.00 = ± 0.10
0.000= ± -
Angle: ±1°
SURF TEXTURE:
REMOVE BURRS.
BREAK SHARP EDGES
R0.05 MAX.DO NOT SCALE PRINT.

4	CAP	1pcs	High temp.Plastic; UL94 V-0 Color Black	-----
3	Body	1pcs	Lead-Free Brass	Au 0.25um min plated over 1.4um min Ni
2	Plunger	1pcs	Lead-Free Brass	Au 0.75um min plated over 1.4um min Ni
1	Spring	1pcs	Stainless steel wire	-----
Item	Part Name	Q'TY	Material	Finish

Type		Customer drawing		Unit	top-link
DRW:		Yang.cb		mm	
CHK:		APRD:		REL:	
Name					
Pogo Pin Connector					
Scale	Size	Part NO.		Page	Rev:
1:1	A4	10101013346		1/1	XB