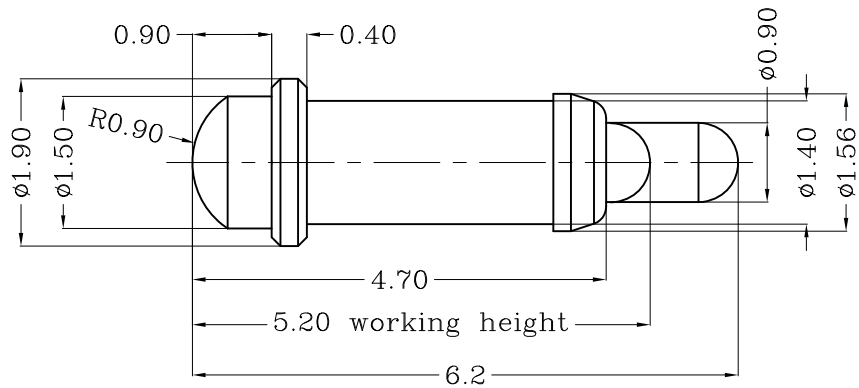
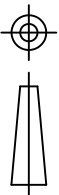


THIS INFORMATION IS CONFIDENTIAL AND IS DISCLOSED TO YOU ON CONDITION THAT NO FURTHER DISCLOSURE IS MADE BY YOU TO OTHER THAN TOP-LINK PERSONNEL WITHOUT WRITTEN AUTHORIZATION FROM TOP-LINK LTD.

DWG NO.
C-101397



USED ON
-

Notes:

△ Material(材质):

- 1)Body :C36000
- 2)Plunge :C36000 or C27000
- 3)Spring :Stainless steel wire

2 Plating(电镀):

- 1)Body: Min 0.1um Gold plating over min. 1.4um Nickel plating
(Body: 镀金0.1um Min 镍底1.4um Min)
- 2)Plunger: Min 0.4um Gold plating over min. 1.4um Nickel plating
(Plunger: 镀金0.4um Min 镍底1.4um Min)

3 Mechanical(机械性能):

- 1)Force:110±30gf per pin at 1.0mm stroke
(力:下压1.0mm的力:110±30gf)
- 2)Total stroke(总行程) : 1.40mm
- 3)Durability(寿命): 10,000 cycle min.

4 Electrical(电性能)

- 1>Contact resistance(接触抵抗): 30mOhm Max.
- 2)Voltage rating(额定电压): 36V DC Max
- 3)Current rating(额定电流): 2.0A

LDC
-
DIST
-

	NEW		2009/11/03
LTR	REVISION RECORD	APVD	DATE

DIMENSIONS IN MM
TOLERANCES UNLESS
OTHER SPECIFIED
0 = ±-
0.0 = ±0.15
0.00 = ±0.10
0.000 = ±
ANGLE: ±1°
SURF TEXTURE: 3.2/
REMOVE BURRS. BREAK
SHARP EDGES R0.05 MAX
DO NOT SCALE PRINT

MATL	△ 1	HT TR	-	FIN	- ✓
DWN		APVD		Top-Link Electronics Ltd.	
Qin		REL			
CHK					
NAME	POGO PIN PG-1.5-0.9-2.0-0.4-1.4-4.7-6.2				
SCALE	1:1	A4	DWG NO. C-101397	SHEET 1 OF 1	REV 1

4

3

2

1

101397-1

PART NUMBER