

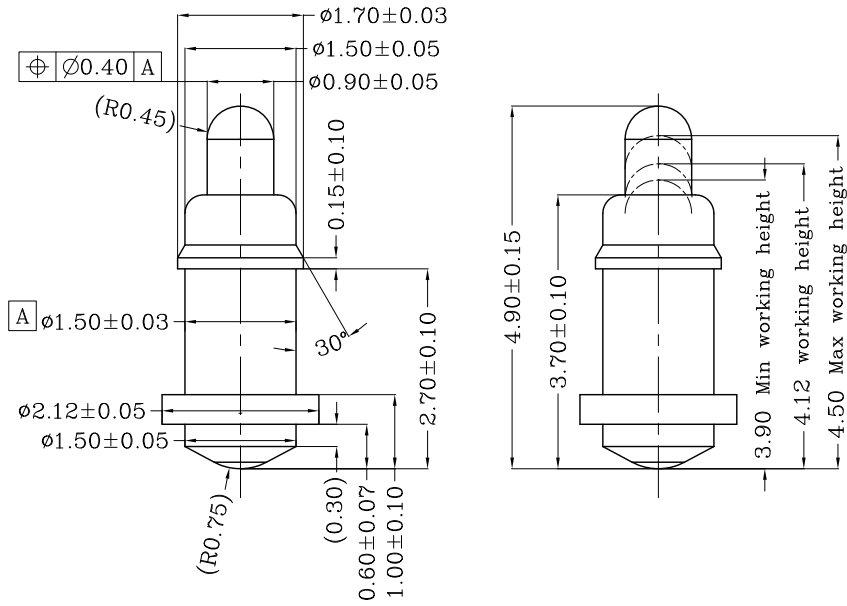
THIS INFORMATION IS CONFIDENTIAL AND IS DISCLOSED TO YOU ON CONDITION THAT NO FURTHER DISCLOSURE IS MADE BY YOU TO OTHER THAN TOP-LINK PERSONNEL WITHOUT WRITTEN AUTHORIZATION FROM TOP-LINK LTD.



DWN No.:

C-101534

proposal



Item	Part name	Q'ty/Ea'	Material	Finish
1	Body	1	Leaded Brass	Au 0.1um Ni 1.4um
2	Plunger	1	Leaded Brass	Au 0.4um Ni 1.4um
3	Spring	1	Stainless steel wire	—————
4				
5				

Max working height	4.50mm	40gf Min<2.1>
working height	4.120mm	70±30gf
Min working height	3.90mm	110gf Max
Durability	10000cycle	

Notes:

- 1 Demensions shall be interpreted per ASME Y14.5M.
- 2 Mechanical performance(See the table 1)
<2.1>The force is the average of forces obtained when plunger goes downwards and upwards.
<2.2>Warning: Working height are not permitted to be less than Min working height.
- 3 Electrical performance
Resistance: 50mOhm Max.Current rating: 2.0A
- 4 RoHS compliant.

DIST

DIST

	Renewal	2011/09/22
	NEW	2011/09/21
Rev.	Revision record.	Date.

Top-Link Electronics Ltd.		Type	Customer drawing	Unit	mm	Weight		
TOLERANCES UNLESS OTHER SPECIFIED		DWN:	Qin zuozhong	APVD:				
0.0 = ± 0.15		CHK:		REL:				
0.00 = ± 0.10		Name					POGO PIN	
0.000 = ± 0.05		Scale					1:1	
Angle: ±		Size					A4	
SURF TEXTURE: REMOVE BURRS. BREAK SHARP EDGES R0.05 MAX.DO NOT SCALE PRINT.		DWG No.					C-101534	
		Page					1/1	
		Rev.					2	

101534-1

PART NUMBER

D

C

B

A

4

3

2

1