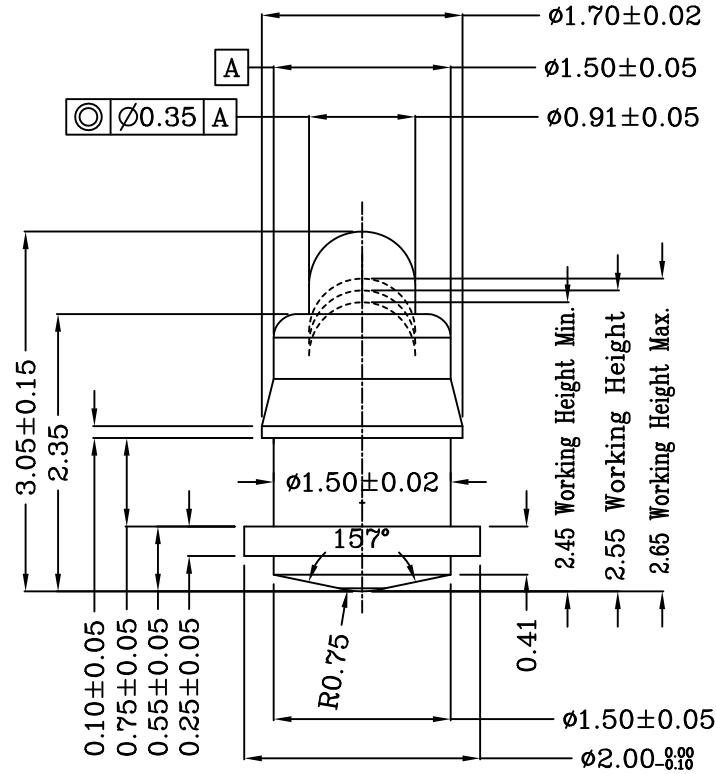


THIS INFORMATION IS CONFIDENTIAL AND IS DISCLOSED TO YOU ON CONDITION THAT NO FURTHER DISCLOSURE IS MADE BY YOU TO OTHER THAN TOP-LINK PERSONNEL WITHOUT WRITTEN AUTHORIZATION FROM TOP-LINK LTD.



DWG No.: C-20101011419



Item	Part name	Q'ty/Ea'	Material	Finish
1	Body	1	Leaded Brass	Au 0.3um Min. plated over Ni 2um Min.
2	Plunger	1	Leaded Brass	Au 0.3um Min. plated over Ni 2um Min.
3	Spring	1	Stainless steel wire	—————
4				
5				

Table 1 Mechanical performance		
working height	2.55mm	90±20gf
Durability	10,000cycle	

Notes:

- Dimensions shall be interpreted per ASME Y14.5M.
- Mechanical performance(See the table 1)
 <2.1>The force is the average of forces obtained when plunger goes downwards and upwards.
 <2.2>Warning: Working height are not permitted to be less than Min working height.
- Electrical performance
 Resistance: 50mOhm Max.
 Current rating: 2.0A
- RoHS compliant.

20101011419

PART NUMBER

Top-Link Electronics Ltd.		Type Customer drawing	Unit mm	Weight
TOLERANCES UNLESS OTHER SPECIFIED 0.0 = ± 0.15 0.00 = ± 0.10 0.000 = ± 0.05 Angle: ± SURF TEXTURE: REMOVE BURRS. BREAK SHARP EDGES R0.05 MAX.DO NOT SCALE PRINT.		DWN: Alan	APVD:	 Top-Link Electronics Ltd.
3		CHK:	REL:	
Name POGO PIN				
Scale 1:1	Size A4	DWG No. C-20101011419	Page 1/1	Rev. 3

3	EC DIM	2016/06/15
2	Modified Structure	2016/04/26
Rev.	Revision record.	Date.

DIST

DIST
